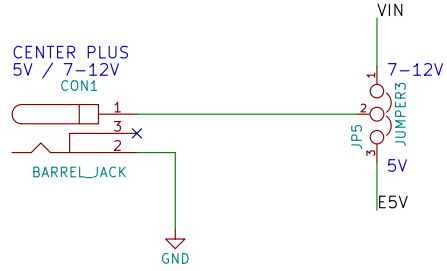
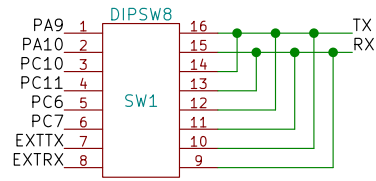


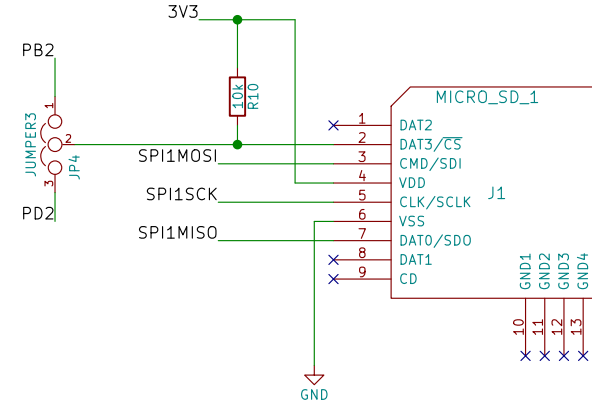
POWER SUPPLY



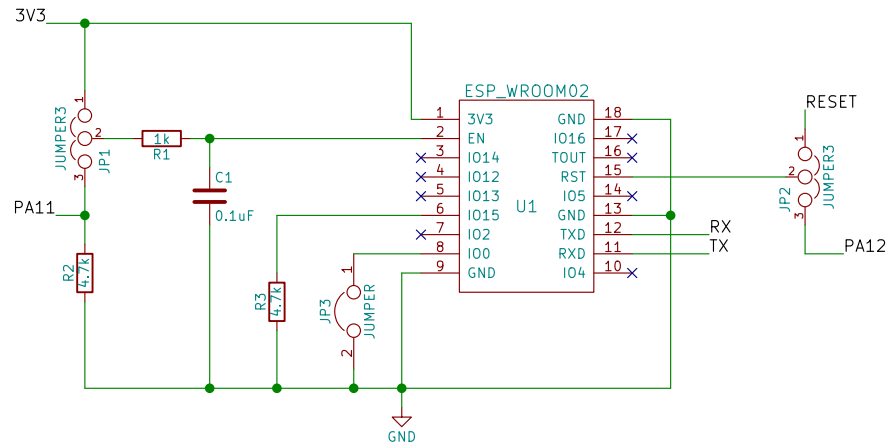
USART OPTION



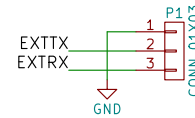
MICRO SD



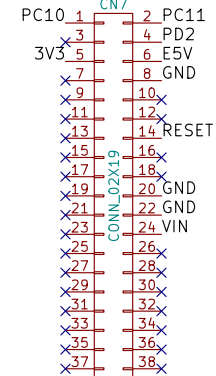
ESP WROOM 02



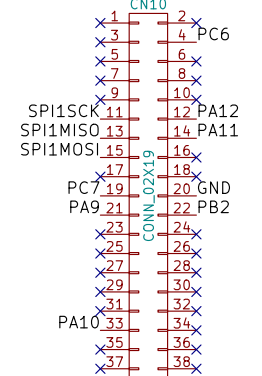
EXTERNAL SERIAL



MORPHO CN7



MORPHO CN10



Indoor Corgi Elec.

Sheet: /  
File: NC64-BaseShield.sch

**Title: NC64-BaseShield**

Size: A4 Date: 2016-11-25

KiCad E.D.A. kicad 4.0.4+e1-630848ubuntu14.04.1-stable

Rev: 1.0

Id: 1/1