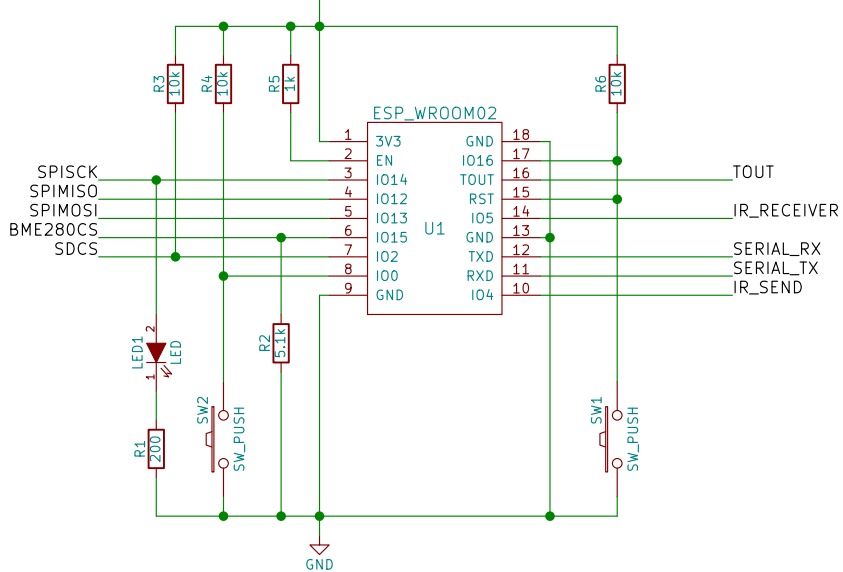
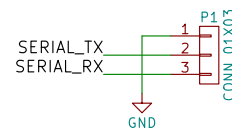


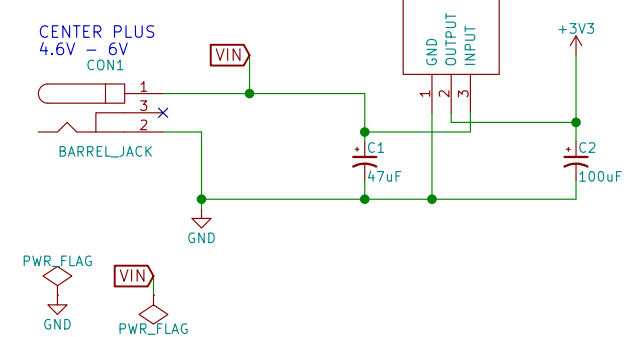
ESP WROOM 02



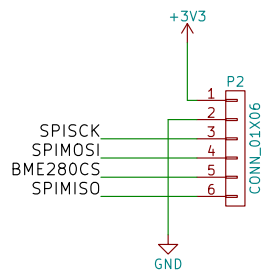
SERIAL



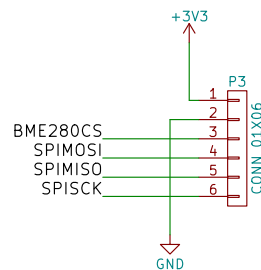
POWER SUPPLY



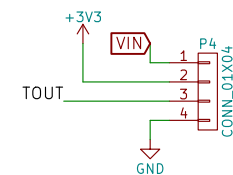
GY-BME280 SOCKET



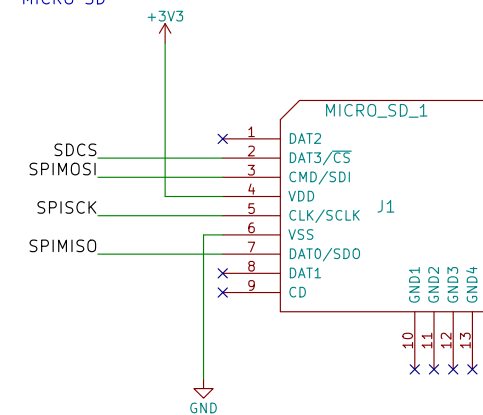
AE-BME280 SOCKET



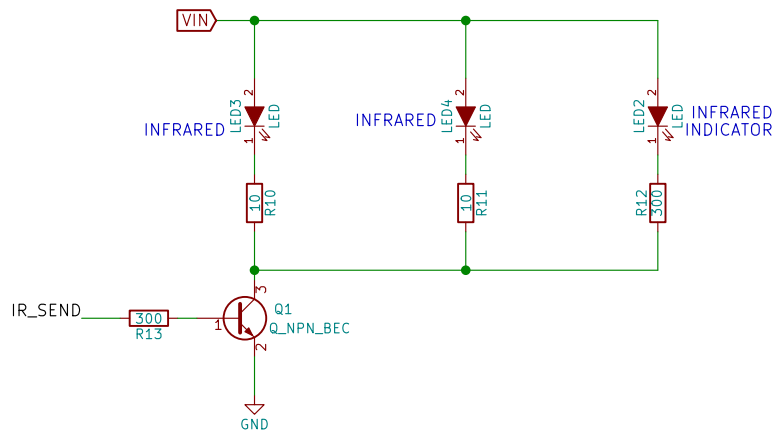
TERMINAL



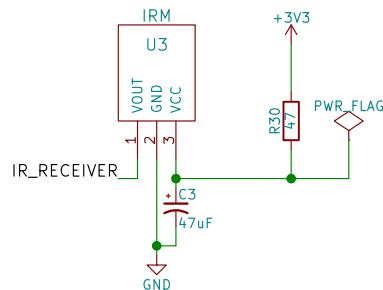
MICRO SD



IR SEND



IR RECEIVER



Indoor Corgi Elec.

Sheet: /
File: ESP-IR+TPHMonitor.sch

Title: ESP-IR+TPHMonitor

Size: A4 Date: 2016-10-06

KiCad E.D.A. kicad 4.0.4+e1-630848ubuntu14.04.1-stable

Rev: 1.0

Id: 1/1